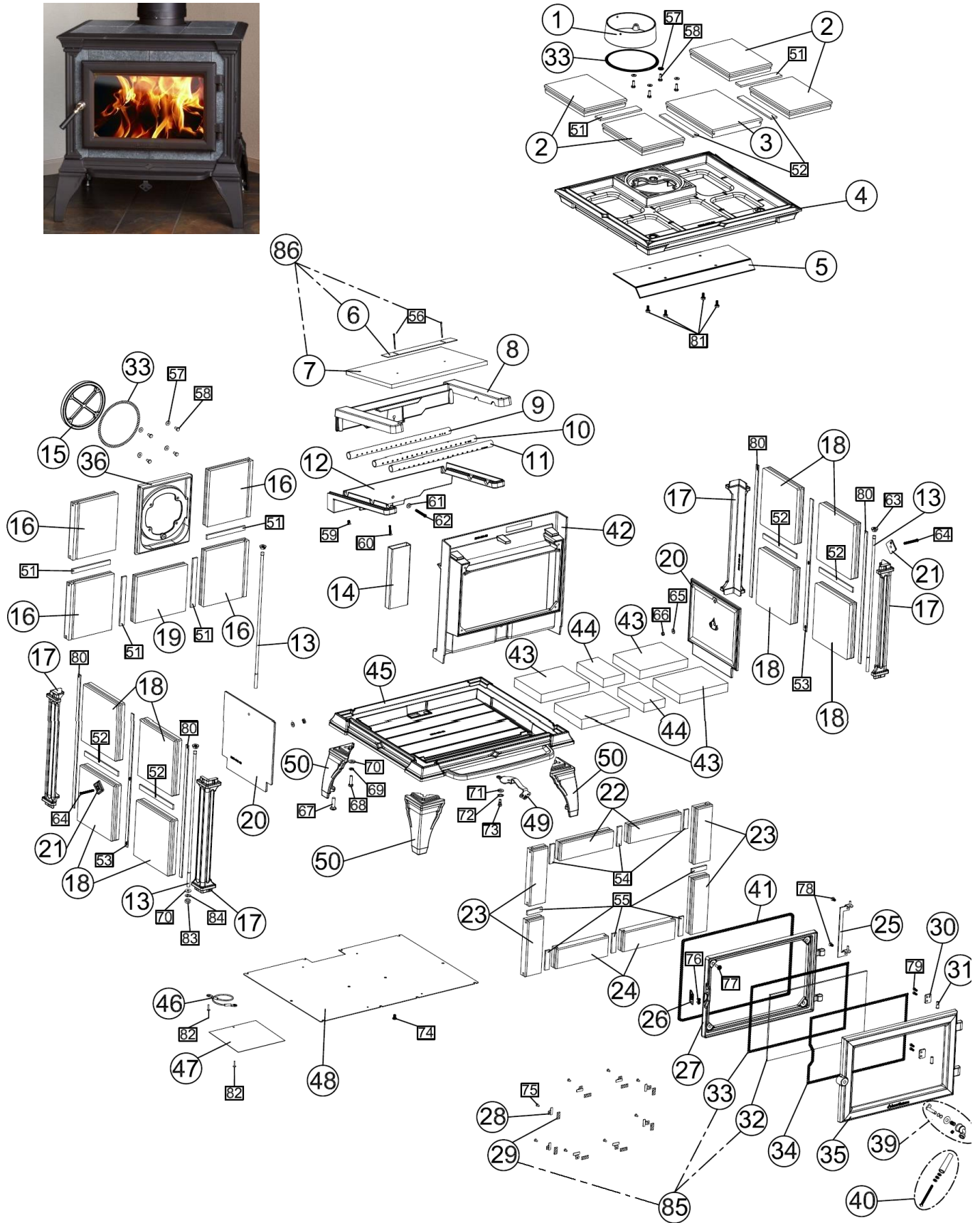




Castleton Model 8030



主要パーツ

Key	Part #	Description	QTY.	定価(税別)
	3110-057	ガスケット: フロントドア用	3/8"Low (9.5)	150cm 1100/m
	3110-056	ガスケット: ガラス用	1/4"(6.4)	140cm 900/m
	3120-021	ガスケット: ガラスクリップ用	セクション	8ヶ 400/ヶ
86	90-76300	パッフルキット(セラミック): キャスルトン8030		23,800
85	90-58305	ガラスキット: キャスルトン (242x390, t5)		38,800
* ガラスキットには、ガラス用ガスケット、ガラスクリップ、ビス、ガラスクリップ用ガスケットが含まれます。				

Key	Part #	Description	QTY.	定価(税別)
1	2010-285	COLLAR: FLUE,MATTE,HER 1/TRI/MCR/CAS	1	26,100
2	1141-370	STONE: POL,6-13/16" x 9",TS,CAS	4	22,300
3	1141-360	STONE: POL,8" x 10-1/2",TC,CAS	1	30,000
4	2010-390	TOP:MATTE,CAS	1	130,900
5	5030-080	HEATSHIELD:TOP,CAS	1	20,200
6		→ [No.86] 90-76300 : パッフルキット		
7		→ [No.86] 90-76300 : パッフルキット		
8	2010-380	PLENUM: AIR,SECONDARY,TOP,CAS	1	49,000
9	5030-071	TUBE:SECONDARY,AIR,#1,CAS	1	17,600
10	5030-072	TUBE:SECONDARY,AIR,#2,CAS	1	17,600
11	5030-073	TUBE:SECONDARY,AIR,#3,CAS	1	17,600
12	2010-370	PLENUM: AIR,SECONDARY,BOTTOM,CAS	1	42,400
13	5210-2340	ROD:THREAD,3/8-16x19-1/2", 5/16"&2",cas	3	2,600
14	5030-040	RISER:SECONDARY,AIR,CAS	1	8,000
15	2010-282	PLATE: FLUE, HER 1/MCR/CAS	1	16,500
16	1141-310	STONE: POL,RS,6-13/16"x8-1/16",CAS	4	19,200
17	2010-340	LEG:SIDE,MATTE,CAS	4	26,100
18	1141-320	STONE: POL,7-7/8" x 8-1/16",S,CAS	8	22,100
19	1141-325	STONE: POL,6-5/8" x 8",RC,CAS	1	18,500
20	2010-345	PLATE:SIDE,CAS	2	49,000
21	2010-335	TRIM:SIDE,MATTE,CAS/TRI	2	6,200
22	1141-350	STONE: POL,2-1/2" x8-1/4",FT,CAS	2	8,200
23	1141-340	STONE: POL,2-9/16" x 8-1/16",FS,CAS	4	8,200
24	1141-330	STONE: POL,8-1/4" x 2-7/8",FB,CAS	2	9,700
25	5030-050	SUPPORT:HINGE PIN,CAS	1	11,700
26	5030-060	STRIKER:LATCH,CAS,HER2-L		フロントドアストライカー 5,300
27	2010-360	FRAME:DOOR,MATTE,CAS	1	39,400
28、29		→ [No.85] 90-58305 : ガラスキット		
30	5030-055	PLATE:HINGE,CAS	2	5,100
31	5030-045	BUSHING:HINGE,CAS	2	3,100
32、33		→ [No.85] 90-58305 : ガラスキット	1	
34	3110-057	GASKET: ROPE,3/8",AD,NON-CORE	6 ft.	1100/m
35	2010-350	DOOR:MATTE,CAS	1	42,400
	2020-350	DOOR:BROWN,CAS		91,900
36	2010-280	FRAME: FLUE,BACK,HER 1/CAS	1	45,700
39	90-73212	LATCH: FRT DOOR,COIL SPNG,HER 1/TRI		ラッチキット 13,800
	5010-081	CRANK: HANDLE,WOOD STOVES	1	5,200
	5021-022	LATCH:DR,FRT,SINGLE BEV,HER1/TRI(Deinsa)	1	6,600
	4700-0790	SPACER: DOOR LATCH,0.435"x0.375"x0.03"	4	400/ヶ
	5021-032	WASHER: FLAT,.406"IDx1"ODx.035"T,BLK	1	600
	5240-138	SPRING: LATCH,WOOD STOVES,325#	1	2,500
	4500-2976	SCREW: SET,5/16-18x3/8",HALF DOG,SOCKE	1	800
40	90-71100	HANDLE: DOOR,WOOD STOVES		ハンドルキット 4,500
	3900-177	HANDLE: WOOD,BLACK	1	4,100
	4500-1680	SCREW: MACH,1/4-20x3-1/4",ROUND,SLOT,Z	1	1,600
	4600-0400	WASHER: LOCK,1/4,SPLIT,MED,ZN	3	400/ヶ

Key	Part #	Description	QTY.	定価(税別)
41	3160-392	GASKET:3/8"X 1/8"FLAT KNIT BLK 1/4"AD SP	6 ft.	1200/m
42	2010-330	PLENUM:AIR,PRIMARY,CAS	1	68,800
43	1-0000-102	STONE: REF,6"x7-5/8",MAN 1	4	9,800
44	1-0000-315	STONE: REF,3-3/8"x5-3/8",CAS	1	5,500
45	2010-320	BOTTOM:MATTE/CAS	1	144,200
46	5570-030	CABLE: LABEL,1/16"Dx12",2 EYES,HOM/DV	1	
47	3300-719	Safety Tag	1	
48	5030-010	HEATSHIELD:BOTTOM,CAS	1	7,800
49	5030-030	HANDLE:AIR,CONTROL,CAS	1	10,100
50	2010-310	FOOT:MATTE,HER 1/CAS/HER 2	4	26,100
51	5000-010	Spline: 1/8"x3/4"x6-1/4	4	
52	5000-008	SPLINE: 1/8"x3/4"x6-7/8	6	
53	5000-026	SPLINE: 1/8"x3/4"x15.75 SLOTTED	2	
54	5000-001A	SPLINE: 1/8"x3/4"x2	3	1,800
55	5000-002	SPLINE: 1/8"x3/4"x2-1/2	5	1,400
56		→ [No.86] 90-76300 : バッフルキット		
57	4600-0310	WASHER: FLAT,1/4,SAE,ZN (5/8" OD)	12	400
58	4500-0710	SCREW: CAP,1/4-20x3/4",HEX,SS	8	800
59	4500-0560	SCREW: MACH,1/4-20x1/2",FLAT,PH,BLK OX	4	400
60	4500-1300	SCREW: MACH,1/4-20x1-1/4",FLAT,PH,BLK	2	600
61	4600-0310	WASHER: FLAT,1/4,SAE,ZN (5/8" OD)	8	400
62	4500-1419	SCREW: SHCS,LOW,1/4-20X2",BL OX	3	1,400
63	4200-0410	NUT: TAMPER-RESISTANT,3/8-16,ZN	3	1,600
64	4500-1419	SCREW: SHCS,LOW,1/4-20X2",BL OX	3	1,400
65	4600-0310	WASHER: FLAT,1/4,SAE,ZN (5/8" OD)	8	400
66	4200-0250	NUT: FINISHING,1/4-20,HEX,SS	2	600
67	4100-0127	BOLT: CARRIAGE,3/8-16x1-1/2 BL OX	4	1,000
68	4500-3220	SCREW: CAP,5/16-18x1-1/4",HEX,ZN,GR5	4	600
69	4600-0850	WASHER: LOCK,5/16,SPLIT,MED,ZN	4	400
70	4600-0800	WASHER: FLAT,5/16,USS (7/8" OD),BLK ZN	10	400
71	5570-060	WASHER: SLIDE ARM,SHE/HOM	1	1,600
72	4600-1400	WASHER:WAVE,5/16,0.030" HEIGHT(90134A0	1	1,400
73	4100-0280	SCREW: SHOULDER,5/16"Dx1/4"L,SOCKET	1	800
74	4500-2114	SCREW: MACH,10-24x3/8",PAN,PH,BLK OX	14	400
75		→ [No.85] 90-58305 : ガラスキット		
76	4500-2106	SCREW: MACH,10-24x3/8",FLAT,PH,BL OX	2	400
77	4500-1359	SCREW: MACH,1/4-20x3/4",PAN,PH,BLK	4	1,000
78	4500-0560	SCREW: MACH,1/4-20x1/2",FLAT,PH,BLK OX	4	400
79	4500-2132	SCREW: SHCS,10-24x1/2",BL OX	4	600
80	5000-023	SPLINE: 1/8"x3/4"x8-7/8",SLOTTED	4	4,300
81	4500-0570	SCREW: CAP,1/4-20x1/2",HEX,SS	4	800
82	4400-0203	RIVET: BLIND,1/8x1/8" GRIP,SS SEALED	2	600
83	4200-0400	NUT: FINISHING,3/8-16,HEX,ZN	3	600
84	4600-0700	WASHER: LOCK,3/8,SPLIT,MED	3	400
85	90-58305	GLASS KIT: CAS	ガラスキット	38,800
32	3030-055	GLASS: IR 15.35"x9.49"x5MM,CAS	1	
33	3110-056	GASKET: ROPE,1/4",BLK,AD	9 ft.	900/m
28	5021-060	CLIP: GLASS,HER 1/TRI	8	1500/ケ
29	3120-021	GASKET: GLASS CLIP, BLACK	8	400/ケ
75	4500-2105	SCREW: MACH,10-24x3/8",UND-CUT,FLAT,PH	8	400/ケ
86	90-76300	BAFFLE:CERAMIC WITH BRACKET, CAS	バッフルキット	23,800
6	5021-066	BRACKET: BAFFLE,SS,HER 1	1	
7	3120-330	BOARD: CERAMIC,CAS	1	
56	4300-0120	PIN: COTTER,1/8x2",SS	2	800/ケ

※ 鑄鉄パーツのエナメルカラーは別途お問合せください。(ブラウンエナメル:20、シーフォーム:61)